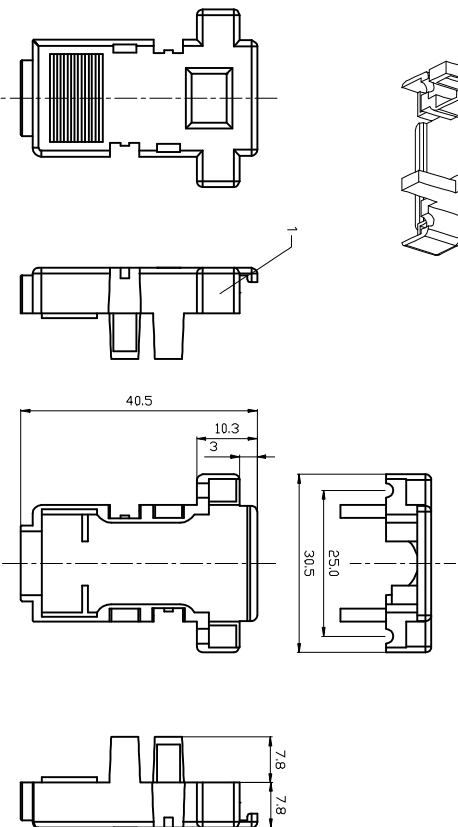
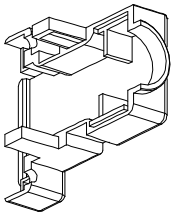
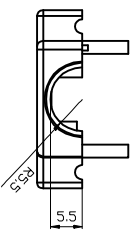


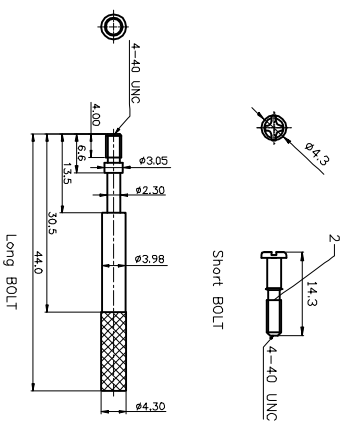
REV.	DESCRIPTION	DRAWN	CHECKED	APPROVED
A	NEW RELEASE	ZQJ 11/18/2014	~	ZQJ 11/18/2014
B	第二次修订	CJJ 11/18/2014	~	



ITEM	PART NAME	Qty	NOTES
1	PLASTIC HOOD	2	ABS
2	BOLT	2	#4-40



NOTES:
 1. PART NUMBER CODE:
 LL1055-4-09 X X X X X X
 Bolt type
 L: Long
 S: Short
 Packing type
 1: Mix packing
 2: Separation packing
 Cover Material
 P: Plastic(ABS)
 Cover Color
 A: Gray
 B: Black
 V: Ivory
 Position
 09: 9pin



GENERAL TOLERANCE	ANGLE TOLERANCE
X: ±0.60	X: ±5°
.X: ±0.38	.X: ±3°
.XX: ±0.25	.XX: ±2°

PROJECTION	TITLE	PLASTIC FROM THE LOCK TYPE
UNITS: mm		
SHEET SIZE: A4		
SERIES: LL1055-4		
SCALE: 1:1	SHEET: 1 OF 1	
DRAWING TYPE: CUSTOMER		
DRAWING NO.		

慈溪蓝翎电子有限公司
 CIXI LANLING ELECTRONICS CO., LTD.
 慈溪 电子
 Tel: 86-574-85519058 Fax: 86-574-85517070