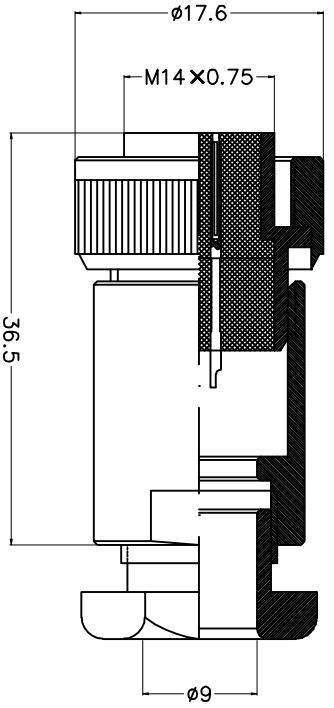
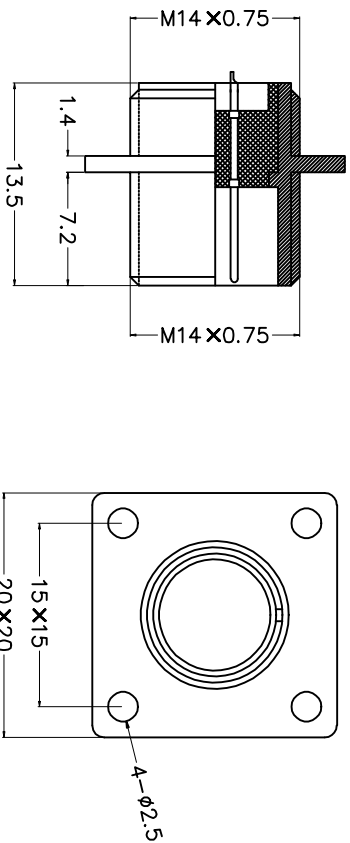


REV.	DESCRIPTION	DRAWN	CHECKED	APPROVED
A	NEW RELEASE	ZQJ 11/18/2015	~	ZQJ 11/18/2015
B	ADD P/N CODE	CJJ 11/18/2015	~	CJJ 11/18/2015


DFPC10 系列 10T



外形尺寸 Shell size	DFPC10-10
接触材料: 磷青铜 Contact: Phosphor bronze on gold-plated brass shell and pins	正装
接触间距 $\phi$ (mm) Solder Inter diameter	0.95

GENERAL TOLERANCE	±0.60	ANGLE TOLERANCE	±5°
X	±0.38	X	±3°
.X	±0.25	.X	±2°
.XX		.XX	

2	CONTACT	DRAWING TYPE	CUSTOMER
1	HOUSING	SCALE	1:1
1	PART NAME	SHEET	1 OF 1
1		DRAWING NO.	


**LANL**  
 蓝翎电子  
**慈溪蓝翎电子有限公司**  
 CIXI LANLING ELECTRONICS CO., LTD.

PROJECTION:  $\phi$  /  $\square$  /  $\ominus$  /  $\boxplus$  /  $\boxminus$  /  $\boxtimes$  /  $\boxdot$  /  $\boxminus$  /  $\boxtimes$  /  $\boxdot$   
 UNITS: mm  
 SHEET SIZE: A4  
 SERIES: DFPC10  
 TITLE: DFPC10 Micro Jack Connector