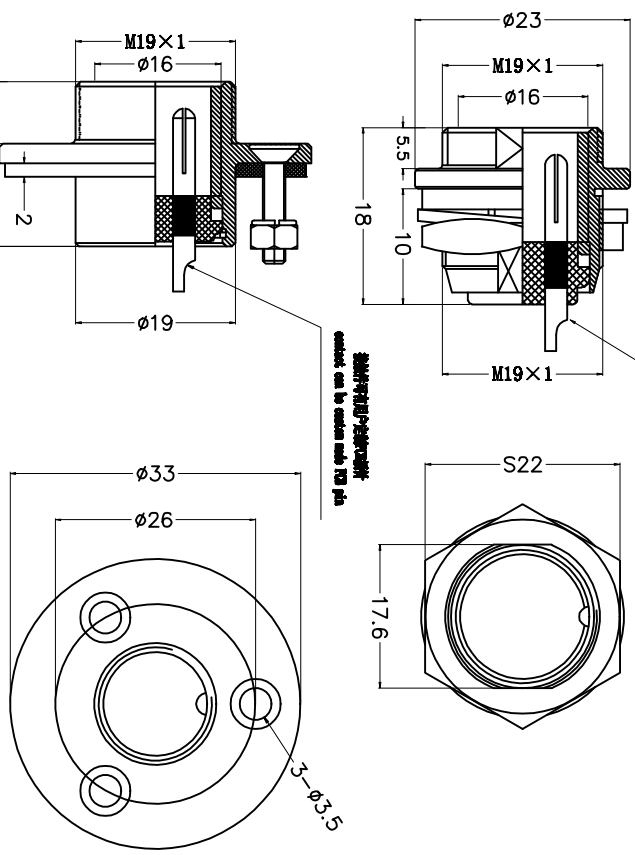


REV	DESCRIPTION	DRAWN	CHECKED	APPROVED
A	NEW RELEASE	ZQJ 11/18/2015	~	ZQJ 11/18/2015
B	ADD P/N CODE	CJJ 11/18/2015	~	CJJ 11/18/2015

GX19M

双切面板前安装公座 (镀镍-镀黑-镀金)
 Installation from front of panel double section socket
 (Nickel plated-black chrome plated-gold plated)



板前安装三眼法兰公座 (镀镍)
 Installation from front of panel 3-hole flange male socket:
 (Nickel plated)

数量	数量 of contact	接触点分布图	接触点分布图	接触点分布图	接触点分布图	接触点分布图	接触点分布图	接触点分布图	接触点分布图	接触点分布图
10	10	⊕+⊕	⊕+⊕	⊕+⊕	⊕+⊕	⊕+⊕	⊕+⊕	⊕+⊕	⊕+⊕	⊕+⊕
250	250	⊕+⊕	⊕+⊕	⊕+⊕	⊕+⊕	⊕+⊕	⊕+⊕	⊕+⊕	⊕+⊕	⊕+⊕
1500	1500	⊕+⊕	⊕+⊕	⊕+⊕	⊕+⊕	⊕+⊕	⊕+⊕	⊕+⊕	⊕+⊕	⊕+⊕
2000	2000	⊕+⊕	⊕+⊕	⊕+⊕	⊕+⊕	⊕+⊕	⊕+⊕	⊕+⊕	⊕+⊕	⊕+⊕

GENERAL TOLERANCE		ANGLE TOLERANCE	
X	±0.60	X	±5°
.X	±0.38	.X	±3°
.XX	±0.25	.XX	±2°

PROJECTON	TITLE
UNITS	GX19M 双切面板前安装公座 板前安装三眼法兰公座
SHEET SIZE	A4
SERIES	019M Installation from Front of panel double section 3-hole Flange

2	CONTACT	
1	HOUSING	
1	PART NAME	

SCALE	1:1	SHEET	1 OF 1
DRAWING NO.			

慈溪蓝翎电子有限公司
 CIXI LANLING ELECTRONICS CO., LTD.