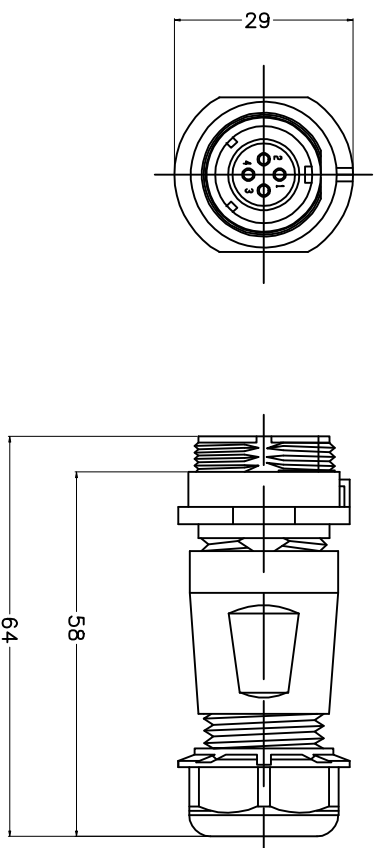


REV.	DESCRIPTION	DRAWN	CHECKED	APPROVED
A	NEW RELEASE	ZQJ 11/18/2015	~	ZQJ 11/18/2015
B	ADD P/N CODE	CJJ 11/18/2015	~	CJJ 11/18/2015



电缆对接插座
In-line Cable connector
与LL2110相配
Mate with LL2110

数量	规格	插孔	插孔间距	插孔直径	插孔深度	插孔长度	插孔直径	插孔长度	插孔直径	插孔长度	插孔直径	插孔长度	插孔直径	插孔长度			
2	30 A	Φ3X2	30 A	Φ3X2	30 A	Φ3X2	5A 30A	Φ1X3 Φ3X2	15 A	Φ2X5	15 A	Φ2X7	5 A	Φ1X9	5 A	Φ1X12	5 A
3	30 A	Φ3X3	30 A	Φ3X3	30 A	Φ3X3	5A 30A	Φ1X3 Φ3X2	15 A	Φ2X5	15 A	Φ2X7	5 A	Φ1X9	5 A	Φ1X12	5 A
4	30 A	Φ3X4	30 A	Φ3X4	30 A	Φ3X4	5A 30A	Φ1X3 Φ3X2	15 A	Φ2X5	15 A	Φ2X7	5 A	Φ1X9	5 A	Φ1X12	5 A
5	30 A	Φ3X5	30 A	Φ3X5	30 A	Φ3X5	5A 30A	Φ1X3 Φ3X2	15 A	Φ2X5	15 A	Φ2X7	5 A	Φ1X9	5 A	Φ1X12	5 A
5B	5A 30A	Φ1X3 Φ3X2	5A 30A	Φ1X3 Φ3X2	5A 30A	Φ1X3 Φ3X2	5A 30A	Φ1X3 Φ3X2	5A 30A	Φ1X3 Φ3X2	5A 30A	Φ1X3 Φ3X2	5A 30A	Φ1X3 Φ3X2	5A 30A	Φ1X3 Φ3X2	5A 30A
5C	15 A	Φ2X5	15 A	Φ2X5	15 A	Φ2X5	15 A	Φ2X5	15 A	Φ2X5	15 A	Φ2X5	15 A	Φ2X5	15 A	Φ2X5	15 A
7	15 A	Φ2X7	15 A	Φ2X7	15 A	Φ2X7	15 A	Φ2X7	15 A	Φ2X7	15 A	Φ2X7	15 A	Φ2X7	15 A	Φ2X7	15 A
9	5 A	Φ1X9	5 A	Φ1X9	5 A	Φ1X9	5 A	Φ1X9	5 A	Φ1X9	5 A	Φ1X9	5 A	Φ1X9	5 A	Φ1X9	5 A
12	5 A	Φ1X12	5 A	Φ1X12	5 A	Φ1X12	5 A	Φ1X12	5 A	Φ1X12	5 A	Φ1X12	5 A	Φ1X12	5 A	Φ1X12	5 A

GENERAL TOLERANCE	ANGLE TOLERANCE
X, ±0.60	X, ±5°
.X, ±0.38	.X, ±3°
.XX, ±0.25	.XX, ±2°

ITEM	PART NAME	SCALE	DRAWING NO.	DRAWING TYPE	CUSTOMER	SHEET	1 OF 1
1	HOUSING	1:1					
2	CONTACT						

PROJECTION	TITLE
UNITS mm	M21 Waterproof Connector
SHEET SIZE A4	SERIES LL-2111/P LL-2111/S

慈溪蓝翎电子有限公司
CIXI LANLING ELECTRONICS CO., LTD.