

REV	DESCRIPTION	DRAWN	CHECKED	APPROVED
A	NEW RELEASE	ZQJ 11/18/2014		
	<b>ADD P/N CODE</b>	CJJ 11/18/2014		

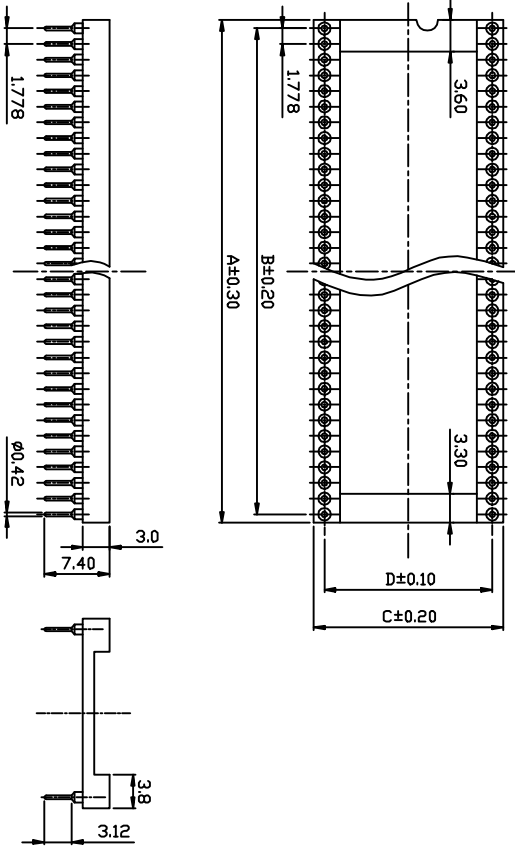
NOTES:

- ELECTRICAL CHARACTERISTICS:
  - CONTACT RESISTANCE: 20mΩ Max.
  - DIELECTRIC WITHSTANDING VOLTAGE: 500V AC(rms) FOR 1 MINUTE.
  - INSULATION RESISTANCE: 1000MΩ Min.
- ENVIRONMENT CHARACTERISTICS:
  - TEMPERATURE: -40°C~+105°C.

3. PRODUCT NUMBER CODE:

LL1021-7 - X X X X

- Clip plating
  - Tin 150u"
  - Tin 200u"
  - G/F
  - Gold 3u"
  - Gold 10u"
  - Gold 15u"
- Pin plating
  - Tin 150u"
  - Tin 200u"
  - G/F
  - Gold 3u"
  - Gold 10u"
  - Gold 15u"
- Width
  - N: 10.16mm
  - W: 15.24mm
  - D: 19.05mm
- No. of contacts
  - 24 28 42 48 52 56 64
- Series No. LL1021-7



Position	Dimension			
	A	B	C	D
24	21.46	19.56	12.65	10.16
28	25.01	23.11	12.65	10.16
42	37.46	35.56	17.73	15.24
48	42.79	40.89	17.73	15.24
52	46.35	44.45	17.73	15.24
56	49.91	48.01	17.73	15.24
64	57.04	55.12	21.54	19.05

GENERAL TOLERANCE	ANGLE TOLERANCE
X ±0.60	X ±5°
X ±0.38	X ±3°
.XX ±0.25	.XX ±2°

PROJECTION	TITLE
UNITS mm	DIP IC SOCKET PITCH 1.778mm
SHEET SIZE A4	SERIES LL1021-7

慈溪蓝翎电子有限公司  
CIXI LANLING ELECTRONICS CO., LTD.

ITEM	PART NAME	PART NO.	MATERIALS	FINISHED	DRAWING NO.	SHEET	1 OF 1
2	CONTACT		COPPER ALLOY	GOLD PLATED			
1	HOUSING		THERMOPLASTIC	UL 94 V-0			