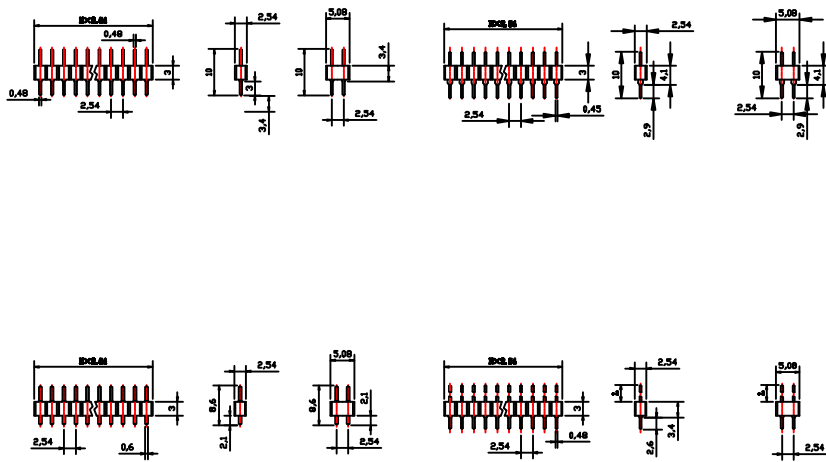


REV.	DESCRIPTION	DRAWN	CHECKED	APPROVED
A	NEW RELEASE	ZQJ 11/18/2014	~	ZQJ 11/18/2014
B	ADD P/N CODE	CJJ 11/18/2014	~	



NOTES:

- ELECTRICAL CHARACTERISTICS:
 - CONTACT RESISTANCE: 20mΩ Max. INITIAL.
 - DIELECTRIC WITHSTANDING VOLTAGE: 500V AC(rms) FOR 1 MINUTE.
 - INSULATION RESISTANCE: 1000MΩ Min.
- ENVIRONMENT CHARACTERISTICS:
 - TEMPERATURE: -40°C~+105°C.

3. PRODUCT NUMBER CODE:
LL1020-2A X X X
 CONTACT TYPE
 1: TYPE 1 3: TYPE 3
 2: TYPE 2 4: TYPE 4
 CONTACT PLATING
 F1: Full GOLD FLASH
 No. OF CONTACTS
 1*1 - 1*40
 2*1 - 2*40

Overall Length	Length L
9.6mm	9.6mm
11.8mm	11.8mm

GENERAL TOLERANCE	ANGLE TOLERANCE	PROJECTION	TITLE
X. ±0.60	X. ±5°	UNITS mm	DIP STRIP ADAPTER
.X ±0.38	.X ±3°	SHEET SIZE A4	PITCH 2.54mm PIN LENGTH=10.0mm
.XX ±0.25	.XX ±2°	SERIES LL1020-2A	
DRAWING TYPE CUSTOMER	SCALE 1:1	慈溪蓝翎电子有限公司 CIXI LANLING ELECTRONICS CO., LTD. Tel: 86-574-63519036 Fax: 86-574-63517070	
DRAWING NO.	SHEET 10F1		