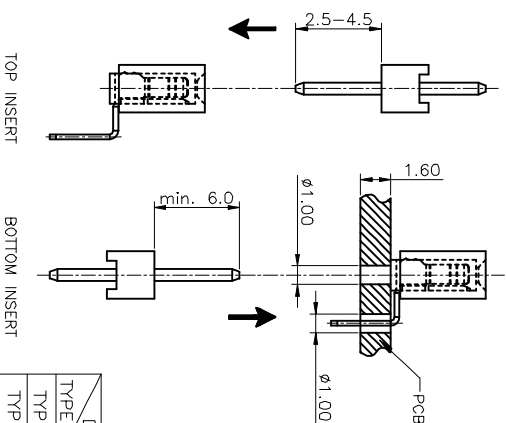
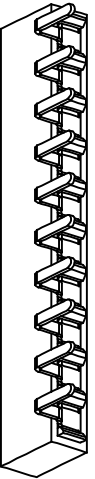
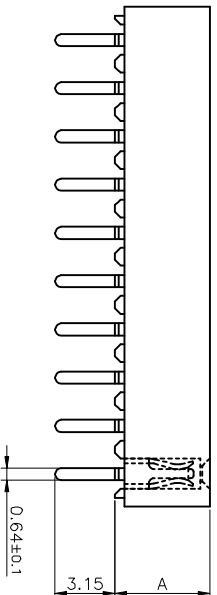
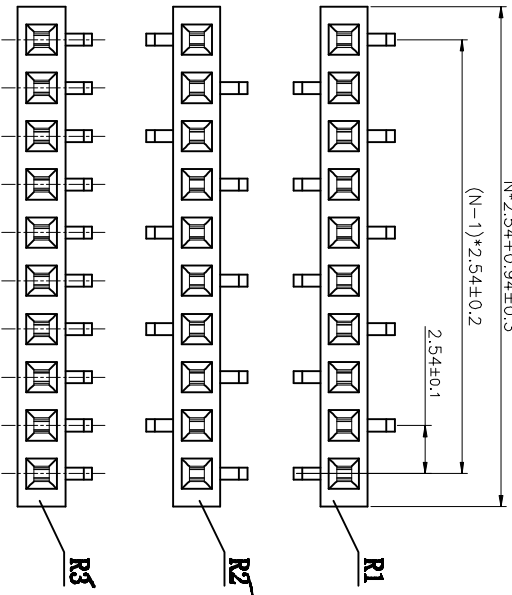


N:NUMBER OF CONTACTS

$$N*2.54\pm0.94\pm0.3$$

$$(N-1)*2.54\pm0.2$$

$$2.54\pm0.1$$



DIM.	A
TYPE 1	8.50
TYPE 2	5.00

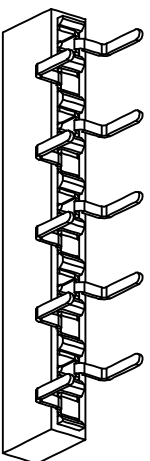
- NOTES:
- MATERIAL
 - INSULATOR MATERIAL:THERMOPLASTIC(UL 94V-0).
 - CONTACT MATERIAL:COPPER ALLOY.
 - SPECIFICATION
 - TEMPERATURE:-40° to +105°C.
 - DIELECTRIC WITHSTANDING VOLTAGE:AC 500V AC.
 - INSULATION RESISTANCE:1000MΩ min.
 - CURRENT RATING:3A.
 - CONTACT RESISTANCE:20mΩ MAXIMUM.

REV.	DESCRIPTION	DRAWN	CHECKED	APPROVED
A	NEW RELEASE	ZQJ 11/18/2014	~	ZQJ 11/18/2014
B	ADD P/N Q008	CJJ 11/18/2014	~	

GENERAL TOLERANCE	ANGLE TOLERANCE
X ±0.60	X ±5°
X ±0.38	X ±3°
.XX ±0.25	.XX ±2°

DRAWING TYPE	CUSTOMER	SHEET	1 OF 1
SCALE	1:1		
DRAWING NO.			

PROJECTION	TITLE
UNITS mm	2.54mm Female Header
SHEET SIZE A4	Single Row Bottom Entry
SERIES LL1015-1F	



慈溪蓝翎电子有限公司
CIXI LANLING ELECTRONICS CO., LTD.