

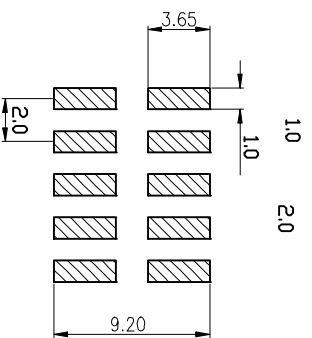
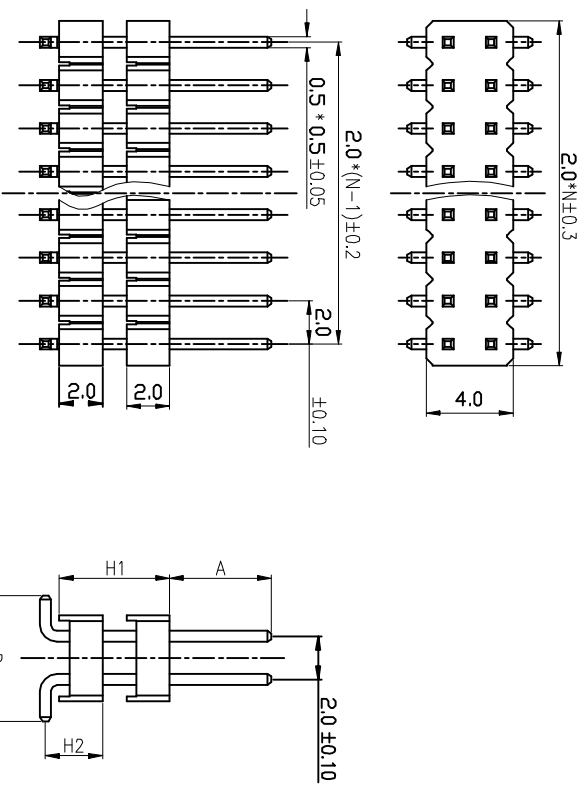
REV	DESCRIPTION	DRAWN	CHECKED	APPROVED
A	NEW RELEASE	ZQJ 11/18/2014	~	ZQJ 11/18/2014
B	ADD P/N CODE	CJJ 11/18/2014	~	

NOTES:

- MATERIAL
 - INSULATOR:THERMOPLASTIC(Ul94 V-0).
 - CONTACT MATERIAL: COPPER ALLOY.

2. SPECIFICATION

- CURRENT RATING:1.5 Amp.
- INSULATION RESISTANCE:1000MΩ Min.
- DIELECTRIC WITHSTANDING:600VAC.
- CONTACT RESISTANCE:50mΩ Max.
- OPERATING TEMPERATURE:-40°C TO+105°C.



RECOMMEND PCB LAYOUT(TOLERANCE=±0.05)

GENERAL TOLERANCE	ANGLE TOLERANCE
X, ±0.60	X, ±5°
X, ±0.38	X, ±3°
.XX, ±0.25	.XX, ±2°

DRAWING TYPE	CUSTOMER	SHEET	1 OF 1
SCALE	1:1		
DRAWING NO.			

PROJECTION	TITLE
UNITS	2.0MM PIN HEADER
SHEET SIZE	BOARD SPACES SMT TYPE
A4	LL1012B-02D



慈溪蓝翎电子有限公司
CIXI LANLING ELECTRONICS CO., LTD.