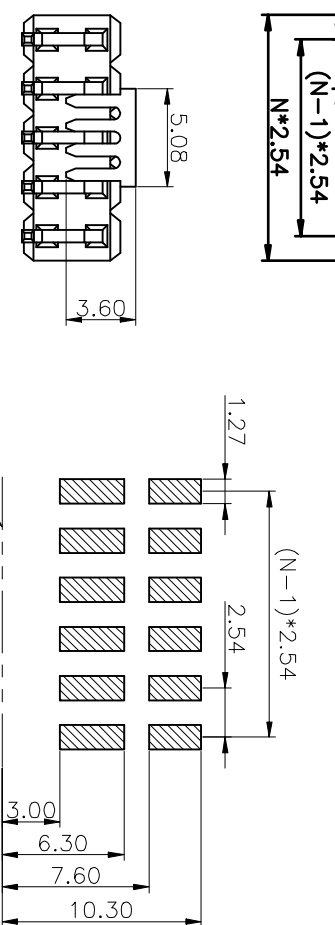
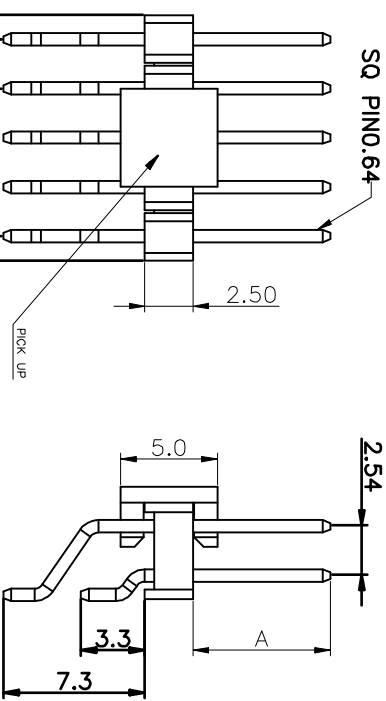
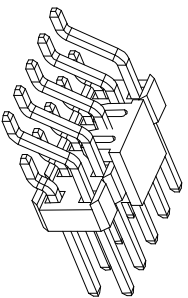


REV.	DESCRIPTION	DRAWN	CHECKED	APPROVED
A	NEW RELEASE	ZQJ 11/18/2014	~	ZQJ 11/18/2014
B	ADD P/N CODE	CJJ 11/18/2014	~	

- NOTES:
- MATERIAL
 - INSULATOR:HIGH TEMP. THERMOPLASTIC(UL 94V-0).
 - CONTACT MATERIAL: COPPER ALLOY.
 - SPECIFICATION
 - CURRENT RATING: 3A.
 - INSULATION RESISTANCE: 1000MΩ Min.
 - DIELECTRIC WITHSTANDING: 600VAC.
 - CONTACT RESISTANCE: 20mΩ Max.
 - TEMPERATURE RANGE: -40°C~+105°C.



RECOMMEND PCB LAYOUT
(TOLERANCE=±0.05)



GENERAL TOLERANCE	ANGLE TOLERANCE	PROJECTION
X, ±0.60	X, ±5°	mm
X, ±0.38	X, ±3°	mm
.XX, ±0.25	.XX, ±2°	mm

DRAWING TYPE	CUSTOMER	SCALE	SHEET	1 OF 1	TITLE
DRAWING NO.	1:1	1:1	1	1	2.54mm PIN HEADER 2 ROWS R/A SMT TYPE LL1010-5D

慈溪蓝翎电子有限公司
CIXI LANLING ELECTRONICS CO., LTD.

