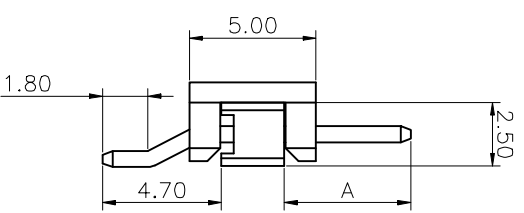
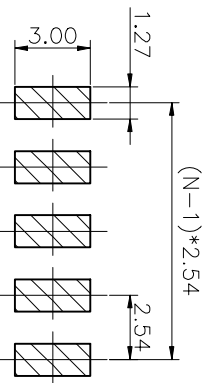
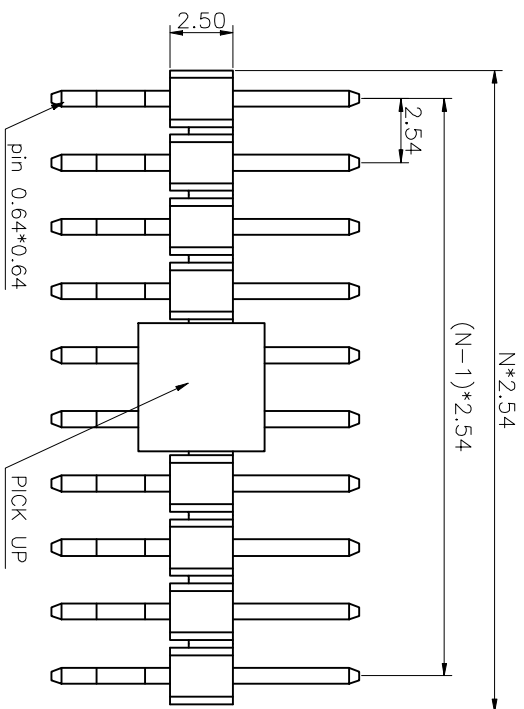


REV.	DESCRIPTION	DRAWN	CHECKED	APPROVED
A	NEW RELEASE	ZQJ 11/18/2014	~	ZQJ 11/18/2014
B	ADD P/N 0008	CJJ 11/18/2014	~	

N=NUMBER OF CONTACT



- NOTES:
- MATERIAL
 - INSULATOR:THERMOPLASTIC(UL 94V-0).
 - CONTACT MATERIAL: COPPER ALLOY.
 - SPECIFICATION
 - CURRENT RATING:1.5 A.
 - INSULATION RESISTANCE:1000MΩ MIN.
 - DIELECTRIC WITHSTANDING:500VAC.
 - CONTACT RESISTANCE:20mΩ Max.
 - TEMPERATURE RANGE:-40°C TO +105°C.

RECOMMEND PCB LAYOUT
(TOLERANCE=±0.05)

GENERAL TOLERANCE	ANGLE	TOLERANCE	PROJECTION	TITLE
X. ±0.60	X. ±5°	⊕	mm	2.54mm PIN HEADER
.X ±0.38	.X ±3°	▽	SHEET SIZE	SINGLE ROW SMT TYPE W/O POST
.XX ±0.25	.XX ±2°		A4	LL1010-5B
DRAWING TYPE	CUSTOMER	SCALE	1:1	SHEET
DRAWING NO.				1 OF 1

慈溪蓝翎电子有限公司
CIXI LANLING ELECTRONICS CO., LTD.

