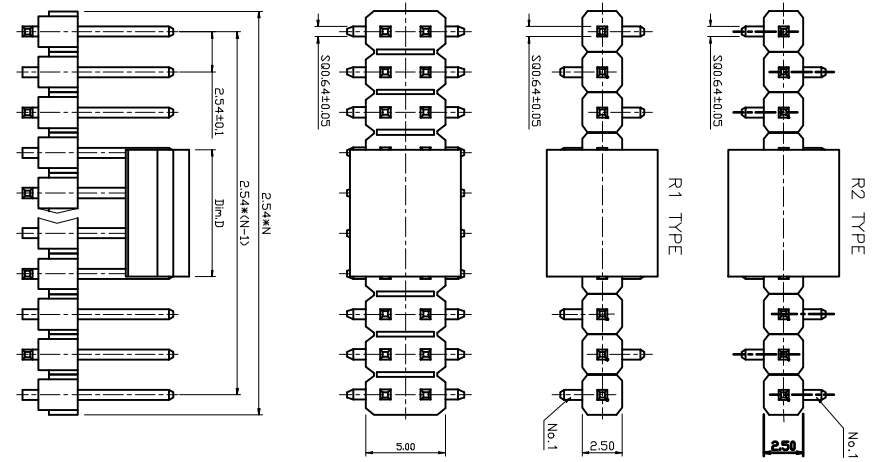
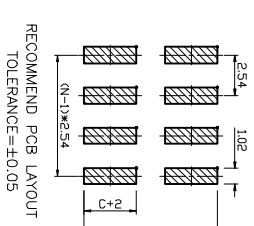
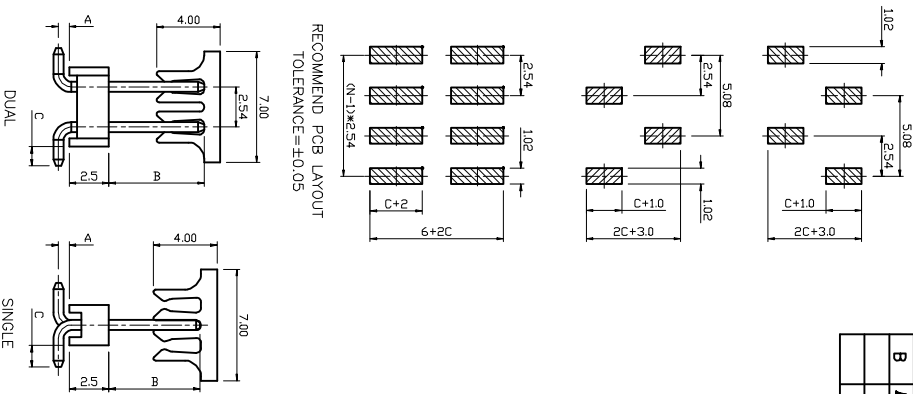


REV.	DESCRIPTION	DRAWN	CHECKED	APPROVED
A	NEW RELEASE	ZQJ 11/18/2014	~	ZQJ 11/18/2014
B	ADD P/N CODE	CJJ 11/18/2014	~	

- NOTES:
- MATERIALS
 - CONTACT MATERIAL: COPPER ALLOY.
 - CONTACT PLATING: FULL GOLD OR TIN OVER NICKEL.
 - INSULATOR MATERIALS: HIGH TEMP. UL94 V-0-COLOR OF BLACK.
 - SPECIFICATIONS
 - CURRENT RATING: 3A.
 - OPERATING TEMPERATURE: -40°C TO +105°C.
 - INSULATION RESISTANCE: 1000MΩ MIN.
 - CONTACT RESISTANCE: 20mΩ MAX.
 - DIELECTRIC WITHSTANDING : 600 VAC.

TABLE B:

Type	Dimension			Pin Length (mm)
	A	B	C	
1	1.50	6.00	3.00	13.80
2	1.20	6.00	3.00	13.50
3	0.68	7.75	1.20	12.90
4	1.20	8.00	2.50	14.90
5	1.20	6.00	1.20	11.70
6	0.70	6.00	1.40	11.90
7	1.50	6.00	1.20	11.90
8	1.00	5.84	1.40	11.60
9	1.00	8.13	1.40	13.80
10	1.18	11.00	2.50	17.90
11	0.68	4.50	1.40	10.00
12				
13				
14				
15				
16				
17				
18				
19				
20				
21				
22				
23				
24				
25				



pos.	Dim1	Dim.D
2~8pin	5.0mm	
9~40pin	8.0mm	

GENERAL TOLERANCE	ANGLE TOLERANCE	TOLERANCE
X, ±0.80	X, ±5°	
.X, ±0.38	.X, ±3°	
.XX, ±0.25	.XX, ±2°	

PROJECTION	TITLE
UNITS	PIN HEADER PITCH 2.54mm SMT TYPE
SHEET SIZE	
A4	
SERIES	LL1010-5A LL1010-5C

慈溪蓝翎电子有限公司
CIXI LANLING ELECTRONICS CO., LTD.

