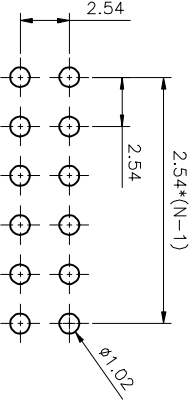
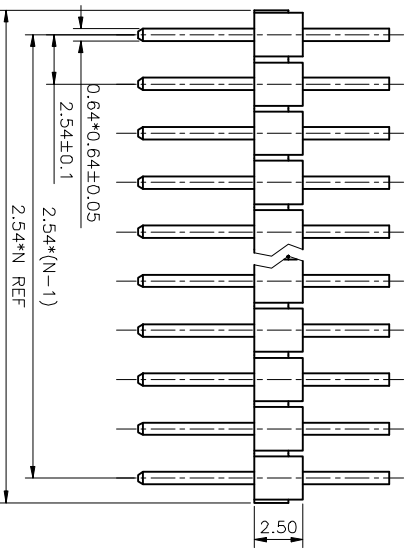
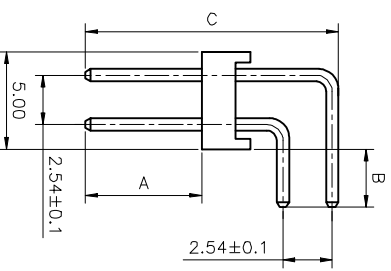


REV.	DESCRIPTION	DRAWN	CHECKED	APPROVED
A	NEW RELEASE	ZQJ 11/18/2014	~	ZQJ 11/18/2014
B	ADD P/N CODE	CJJ 11/18/2014	~	

RIGHT ANGLE TYPE  
N:NUMBER OF CONTACT/2



RECOMMEND PCB LAYOUT  
(TOLERANCE ±0.05)



- NOTES:
- MATERIALS
    - CONTACT MATERIAL: COPPER ALLOY.
    - INSULATOR: PBT WITH GLASS FIBER.
  - SPECIFICATIONS
    - CURRENT RATING: 3A.
    - OPERATING TEMPERATURE: -40°C TO +105°C.
    - INSULATION RESISTANCE: 1000MΩ MIN.
    - CONTACT RESISTANCE: 20mΩ MAX.
    - DIELECTRIC WITHSTANDING: 600 VAC.

RIGHT ANGLE

TABLE A:

TYPE	Dimension			Pin Length 针长 (mm)	TYPE	Dimension			Pin Length 针长 (mm)
	A	B	C			A	B	C	
1	6.00	3.00	13.04	14.00	12	3.00	3.00	9.90	10.90
2	6.10	4.00	12.94	14.80	13	6.00	3.50	13.04	14.40
3	6.00	4.00	12.76	19.90	14	3.00	9.00	11.90	19.50
4	9.00	3.00	16.04	14.70	15				18.80
5	6.00	3.00	13.80	19.70	16				23.90
6	5.10	3.00	13.04	22.00	17				
7	6.50	3.00	13.10	14.00	18				
8	3.00	6.00	9.32	19.00	19				
9	3.00	3.00	10.90	18.30	20				
10	7.00	3.10	13.90	11.90	21				
11	4.00	3.00	10.76	16.90	22				
				20.00					
				11.70					
				16.70					

GENERAL TOLERANCE		ANGLE TOLERANCE		PROJECTION		TITLE	
X	±0.60	X	±5°	mm	2.54mm	2 ROWS	2.54mm PIN HEADER R/A TYPE
X	±0.38	X	±3°	mm			
.XX	±0.25	.XX	±2°				
DRAWING TYPE	CUSTOMER	SHEET	1 OF 1	SHEET SIZE	A4	SERIES	LL1010-2
SCALE	1:1	DRAWING NO.	C-DS1022-2*XXX-X-J	<b>慈溪蓝翎电子有限公司</b> CIXI LANLING ELECTRONICS CO., LTD.			