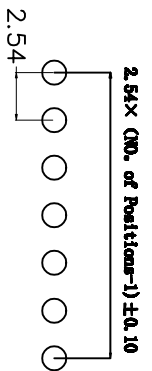
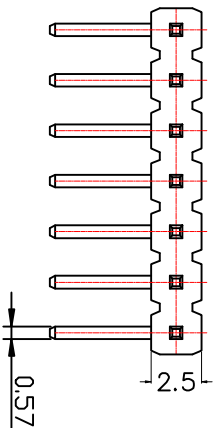
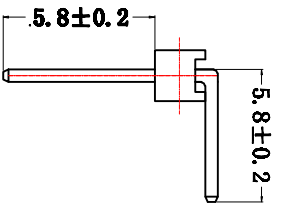
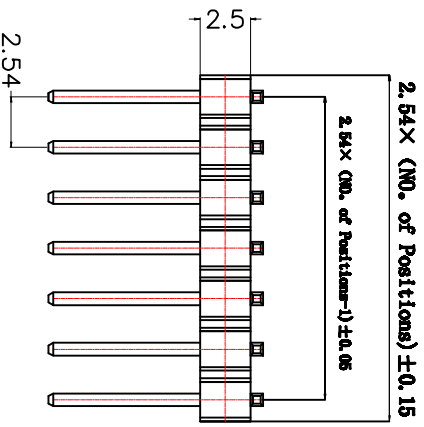


REV.	DESCRIPTION	DRAWN	CHECKED	APPROVED
A	NEW RELEASE	ZQJ 11/18/2014	~	ZQJ 11/18/2014
B	ADD P/N CODE	CJU 11/18/2014	~	
	:	:		

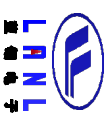


- NOTES:
- MATERIALS
    - CONTACT MATERIAL: COPPER ALLOY.
    - INSULATOR: PBT WITH GLASS FIBER.
  - SPECIFICATIONS
    - CURRENT RATING: 3A.
    - OPERATING TEMPERATURE: -40°C TO +105°C.
    - INSULATION RESISTANCE: 1000MΩ MIN.
    - CONTACT RESISTANCE: 20mΩ MAX.
    - DIELECTRIC WITHSTANDING: 600 VAC.

RECOMMEND P.C.BOARD LAYOUT

GENERAL TOLERANCE	ANGLE TOLERANCE	PROJECTION	UNITS	TITLE
X, ±0.60	X, ±5°	mm	A4	2.54mm Single Row Pin Header
.X, ±0.38	.X, ±3°			R/A 1*60PIN
.XX, ±0.25	.XX, ±2°			LL1010-1C

DRAWING TYPE	CUSTOMER	SCALE	1:1	SHEET	1 OF 1	DRAWING NO.	C-DS1022-1*XXDX-X-K



**慈溪蓝翎电子有限公司**  
CIXI LANLING ELECTRONICS CO., LTD.