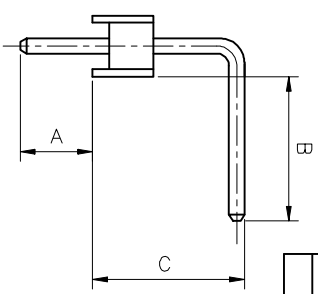
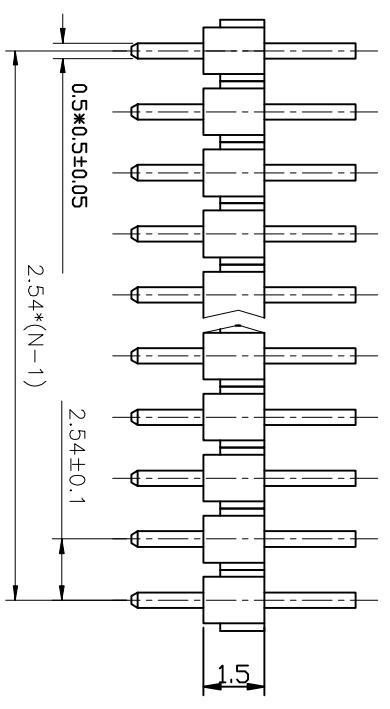
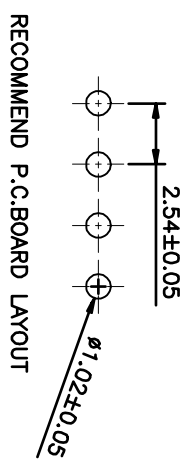
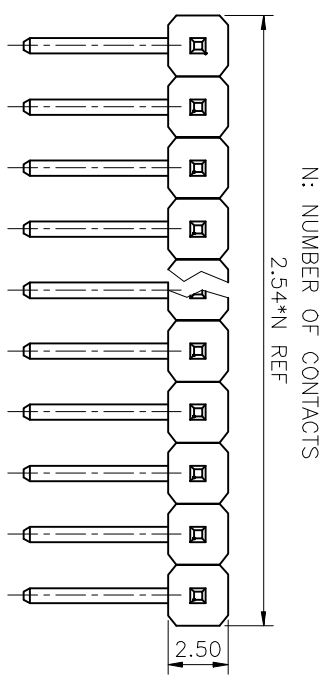


REV.	DESCRIPTION	DRAWN	CHECKED	APPROVED
A	NEW RELEASE	ZQJ 11/18/2014	~	ZQJ 11/18/2014
B	ADD P/N CODE	CJJ 11/18/2014	~	



- NOTES:
- MATERIALS
 - CONTACT MATERIAL: COPPER ALLOY.
 - INSULATOR: PBT WITH GLASS FIBER.
 - SPECIFICATIONS
 - CURRENT RATING: 3A.
 - OPERATING TEMPERATURE: -40°C TO +105°C.
 - INSULATION RESISTANCE: 1000MΩ MIN.
 - CONTACT RESISTANCE: 20mΩ MAX.
 - DIELECTRIC WITHSTANDING: 600 VAC.



GENERAL TOLERANCE		ANGLE TOLERANCE		PROJECTION		TITLE	
X, .X, .XX	±0.60 ±0.38 ±0.25	X, .X, .XX	±5° ±3° ±2°	UNITS	mm	SHEET SIZE	A4
DRAWING TYPE	CUSTOMER	SCALE	1:1	SHEET	1 OF 1	SERIES	LL1010-1B
DRAWING NO.				2.54mm PIN HEADER R/A TYPE SINGLE ROW			



慈溪蓝翎电子有限公司
 CIXI LANLING ELECTRONICS CO., LTD.