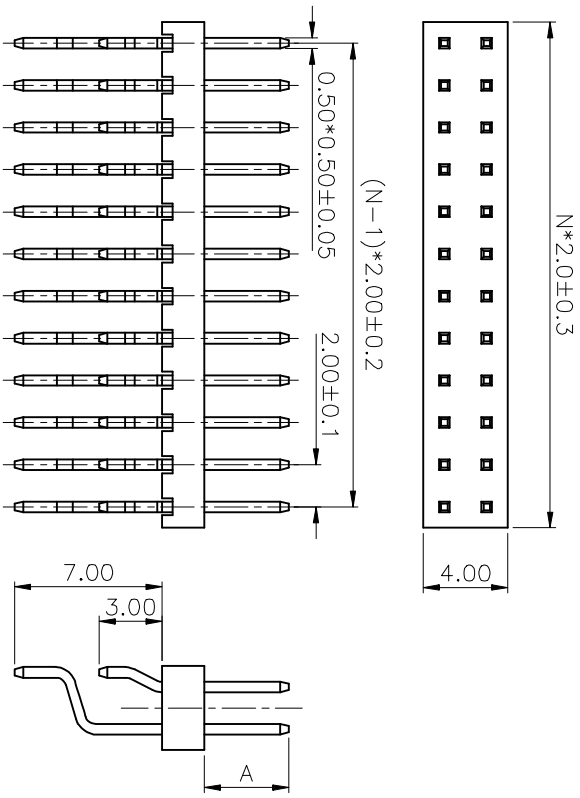


REV.	DESCRIPTION	DRAWN	CHECKED	APPROVED
A	NEW RELEASE	ZQJ 11/18/2014	~	ZQJ 11/18/2014
B	ADD P/N 0008	CJJ 11/18/2014	~	

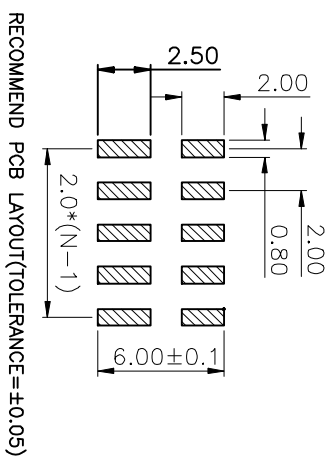
NOTES:

1. MATERIAL & FINISHES
 - 1.1 INSULATOR: THERMOPLASTIC (UL 94V-0).
 - 1.2 CONTACT MATERIAL: COPPER ALLOY.
2. SPECIFICATION
 - 2.1 CURRENT RATING: 1.5 Amp.
 - 2.2 INSULATION RESISTANCE: 1000MΩ Min.
 - 2.3 DIELECTRIC WITHSTANDING: 600VAC.
 - 2.4 CONTACT RESISTANCE: 20mΩ Max.
 - 2.5 OPERATING TEMPERATURE: -40°C TO +105°C.



N: NUMBER OF CONTACTS/2

TYPE	A
1	4.00
2	5.50
3	
4	
5	



GENERAL TOLERANCE		ANGLE TOLERANCE	PROJECTION		TITLE	
X, .X	±0.80	X, .X	±5°	UNITS	mm	DUAL ROW RIGHT ANGLE S.M.T
.XX	±0.38	.XX	±3°	SHEET SIZE	A4	LL1011-6B
	±0.25		±2°			
DRAWING TYPE	CUSTOMER					
SCALE	1:1	SHEET	1 OF 1			
DRAWING NO.						

慈溪蓝翎电子有限公司
CIXI LANLING ELECTRONICS CO., LTD.

