

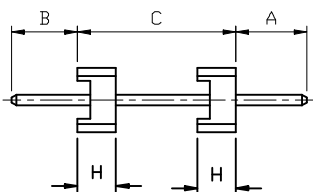
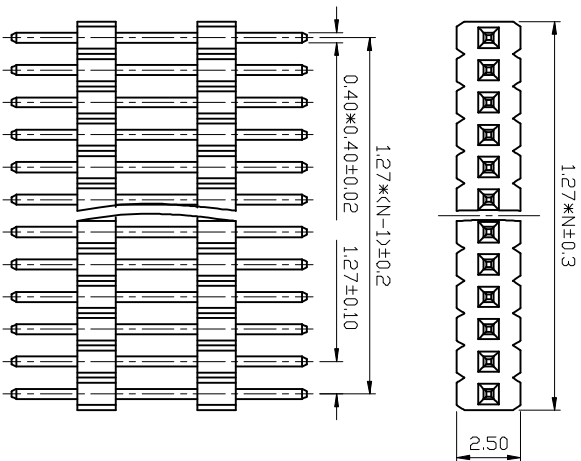
REV.	DESCRIPTION	DRAWN	CHECKED	APPROVED
A	NEW RELEASE	ZQJ 11/18/2014	~	ZQJ 11/18/2014
B	ADD P/N CODE	CJJ 11/18/2014	~	

NOTES:

- MATERIAL
 - INSULATOR:THERMOPLASTIC(UL 94V-0).
 - CONTACT MATERIAL:COPPER ALLOY.

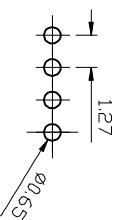
2. SPECIFICATION

- CURRENT RATING:1.0 Amp.
- INSULATION RESISTANCE:1000MΩ Min.
- DIELECTRIC WITHSTANDING:300VAC.
- CONTACT RESISTANCE:50mΩ Max.
- OPERATING TEMPERATURE:-40°C TO+105°C.



TYPE	DIM A	DIM B	DIM C
1	2.80	2.60	6.20

N:No. OF CONTACTS



RECOMMEND PCB LAYOUT(TOLERANCE=±0.05)

GENERAL TOLERANCE		ANGLE TOLERANCE		PROJECTION		TITLE	
X, .X, .XX	±0.60 ±0.38 ±0.25	X, .X, .XX	±5° ±3° ±2°	mm		BOARD SPACER SINGLE ROW	
DRAWING TYPE	CUSTOMER			SHEET SIZE	A4	SERIES	LL1013-02A
SCALE	1:1	SHEET	1 OF 1				
DRAWING NO.							

慈溪蓝翎电子有限公司
CIXI LANLING ELECTRONICS CO., LTD.

蓝翎电子