

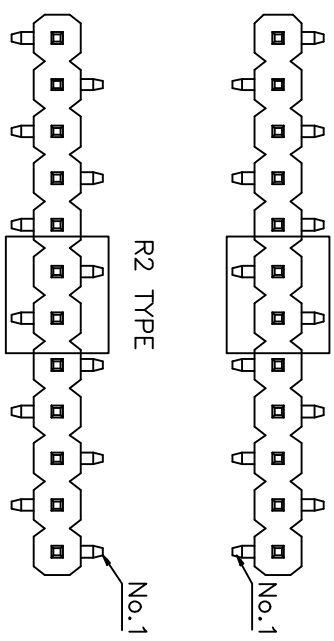
REV.	DESCRIPTION	DRAWN	CHECKED	APPROVED
A	NEW RELEASE	ZQJ 11/18/2014	~	ZQJ 11/18/2014
B	ADD P/N CODE	CJJ 11/18/2014	~	

NOTES:

- MATERIAL & FINISHES:
  - INSULATOR: THERMOPLASTIC(U.L 94V-0).
  - CONTACT MATERIAL: COPPER ALLOY.

2. SPECIFICATION

- CURRENT RATING: 1.5 Amp.
- INSULATION RESISTANCE: 1000MΩ Min.
- DIELECTRIC WITHSTANDING: 600VAC.
- CONTACT RESISTANCE: 20mΩ Max.
- OPERATING TEMPERATURE: -40°C TO +105°C.



N: NUMBER OF CONTACTS  
N±2.0±0.3

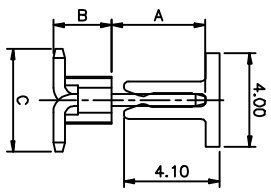
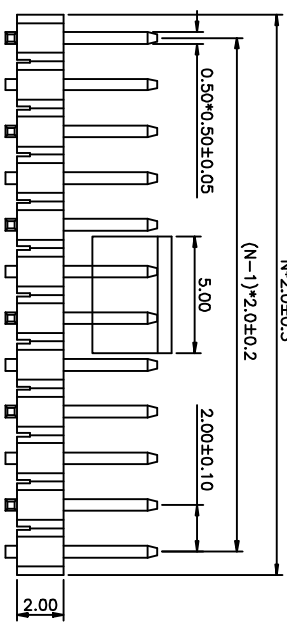
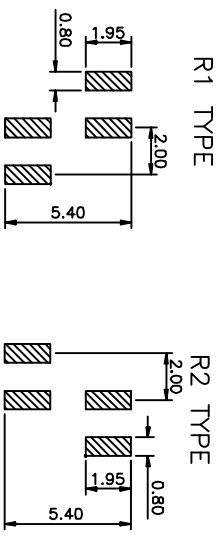


TABLE A:

TYPE	Dimension		
	A	B	C
1	4.00	2.50	4.40
2			
3			
4			
5			
6			
7			
8			
9			
10			



RECOMMEND PCB LAYOUT(TOLERANCE=±0.05)

GENERAL TOLERANCE	ANGLE	TOLERANCE	PROJECTION	TITLE
X	±0.60	X	±5°	2.0mm PIN HEADER
.X	±0.38	.X	±3°	SINGLE ROW SMT TYPE
.XX	±0.25	.XX	±2°	

DRAWING TYPE	CUSTOMER	SHEET	1 OF 1
SCALE	1:1	SHEET	1 OF 1
DRAWING NO.			

**慈溪蓝翎电子有限公司**  
 CIXI LANLING ELECTRONICS CO., LTD.

