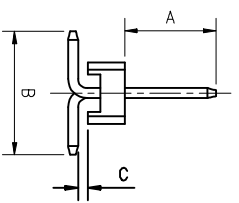
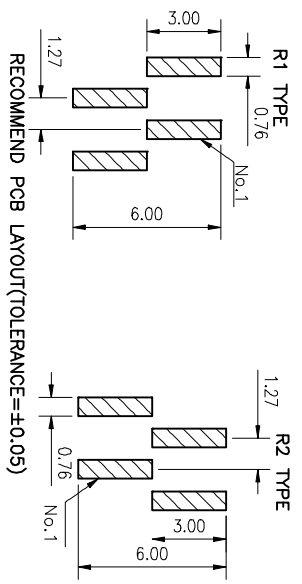
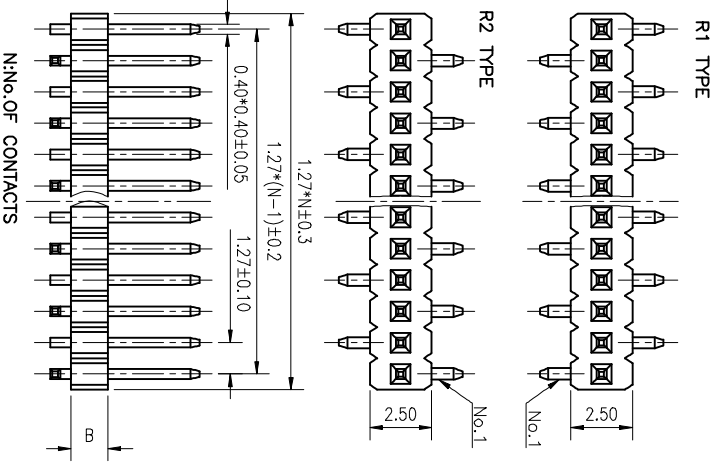


REV	DESCRIPTION	DRAWN	CHECKED	APPROVED
A	NEW RELEASE	ZQJ 11/18/2014	~	ZQJ 11/18/2014
B	ADD P/N 0008	CJJ 11/18/2014	~	



- NOTES:
- MATERIAL
 - INSULATOR:THERMOPLASTIC(UL 94V-0);
 - CONTACT MATERIAL:COPPER ALLOY
 - SPECIFICATION
 - CURRENT RATING:1.0 Amp.
 - INSULATION RESISTANCE:500MΩ Min.
 - ELECTRIC WITHSTANDING:300VAC.
 - CONTACT RESISTANCE:50mΩ Max.
 - OPERATING TEMPERATURE:-40°C TO+105°C.



TYPE	DIM A	DIM B	DIM C
1	3.70	5.00	0.40
2			
3			
4			
5			
6			
7			

GENERAL TOLERANCE		ANGLE TOLERANCE	
X	±0.60	X	±5°
X	±0.38	X	±3°
.XX	±0.25	.XX	±2°

DRAWING TYPE	CUSTOMER	SHEET	1 OF 1
SCALE	1:1	SHEET	1 OF 1
DRAWING NO.			

PROJECTION	TITLE
UNITS	1.27mm PITCH PIN HEADER
SHEET SIZE	SINGLE ROW S.M.T TYPE

慈溪蓝翎电子有限公司
CIXI LANLING ELECTRONICS CO., LTD.

